

70x70x25 mm

40.0~49.0 CFM

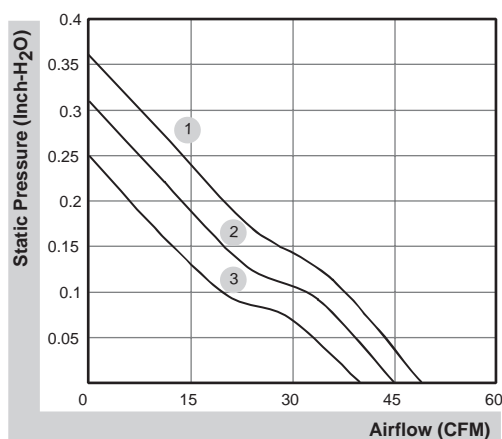


■ Specifications

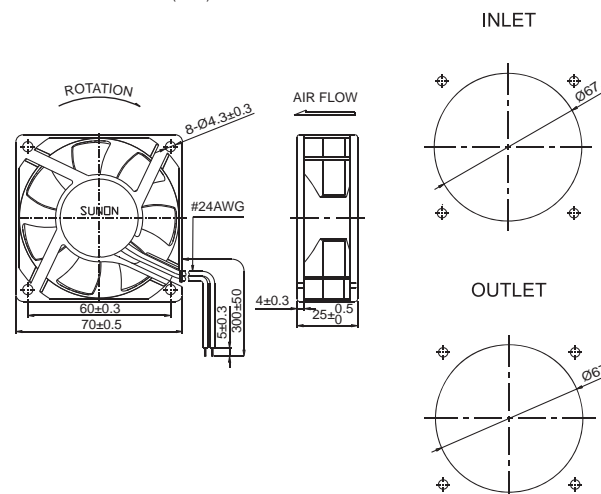
	Bearing	Rating Voltage	Power Current	Power Consumption	Speed	Air Flow	Static Pressure	Noise	Weight	Curve
	● VAPO	(VDC)	(mA)	(WATTS)	(RPM)	(CFM)	(Inch-H ₂ O)	(dB(A))	(g)	
PMD1207PTV1-A GN	●	12	0.37	4.4	5100	49.0	0.36	44.0	90.0	1
PMD1207PTV2-A GN	●	12	0.32	3.8	4700	45.0	0.31	42.0	90.0	2
PMD1207PTV3-A GN	●	12	0.25	3.0	4200	40.0	0.25	38.0	90.0	3
PMD2407PTV1-A GN	●	24	0.20	4.8	5100	49.0	0.36	44.0	90.0	1
PMD2407PTV2-A GN	●	24	0.16	3.8	4700	45.0	0.31	42.0	90.0	2
PMD2407PTV3-A GN	●	24	0.13	3.1	4200	40.0	0.25	38.0	90.0	3
PMD4807PTV1-A GN	●	48	0.12	5.8	5100	49.0	0.36	44.0	90.0	1
PMD4807PTV2-A GN	●	48	0.11	5.3	4700	45.0	0.31	42.0	90.0	2
PMD4807PTV3-A GN	●	48	0.09	4.3	4200	40.0	0.25	38.0	90.0	3

Model	Bearing	Rating Voltage	Power Current	Power Consumption	Speed	Air Flow	Static Pressure	Noise	Weight	Curve
	⊕ 2BALL Sleeve	(VDC)	(AMP)	(WATTS)	(RPM)	(CFM)	(Inch-H ₂ O)	(dB(A))	(g)	
PMD1207PTB1-A (2).GN	⊕	12	0.37	4.4	5100	49.0	0.36	45.0	90.0	1
PMD1207PTB2-A (2).GN	⊕	12	0.31	3.7	4700	45.0	0.31	43.0	90.0	2
PMD1207PTB3-A (2).GN	⊕	12	0.24	2.9	4200	40.0	0.25	39.0	90.0	3
PMD2407PTB1-A (2).GN	⊕	24	0.19	4.6	5100	49.0	0.36	45.0	90.0	1
PMD2407PTB2-A (2).GN	⊕	24	0.15	3.6	4700	45.0	0.31	43.0	90.0	2
PMD2407PTB3-A (2).GN	⊕	24	0.12	2.9	4200	40.0	0.25	39.0	90.0	3
PMD4807PTB1-A (2).GN	⊕	48	0.12	5.8	5100	49.0	0.36	45.0	90.0	1
PMD4807PTB2-A (2).GN	⊕	48	0.10	4.8	4700	45.0	0.31	43.0	90.0	2
PMD4807PTB3-A (2).GN	⊕	48	0.08	4.3	4200	40.0	0.25	39.0	90.0	3

■ Air Flow-Static Pressure Characteristics



■ External dimensions(mm)



*All model could be customized. Please contact with Sunon Sales.

*Specifications are subject to change without notice. Please Visit SUNON website at <http://www.sunon.com> for update information.